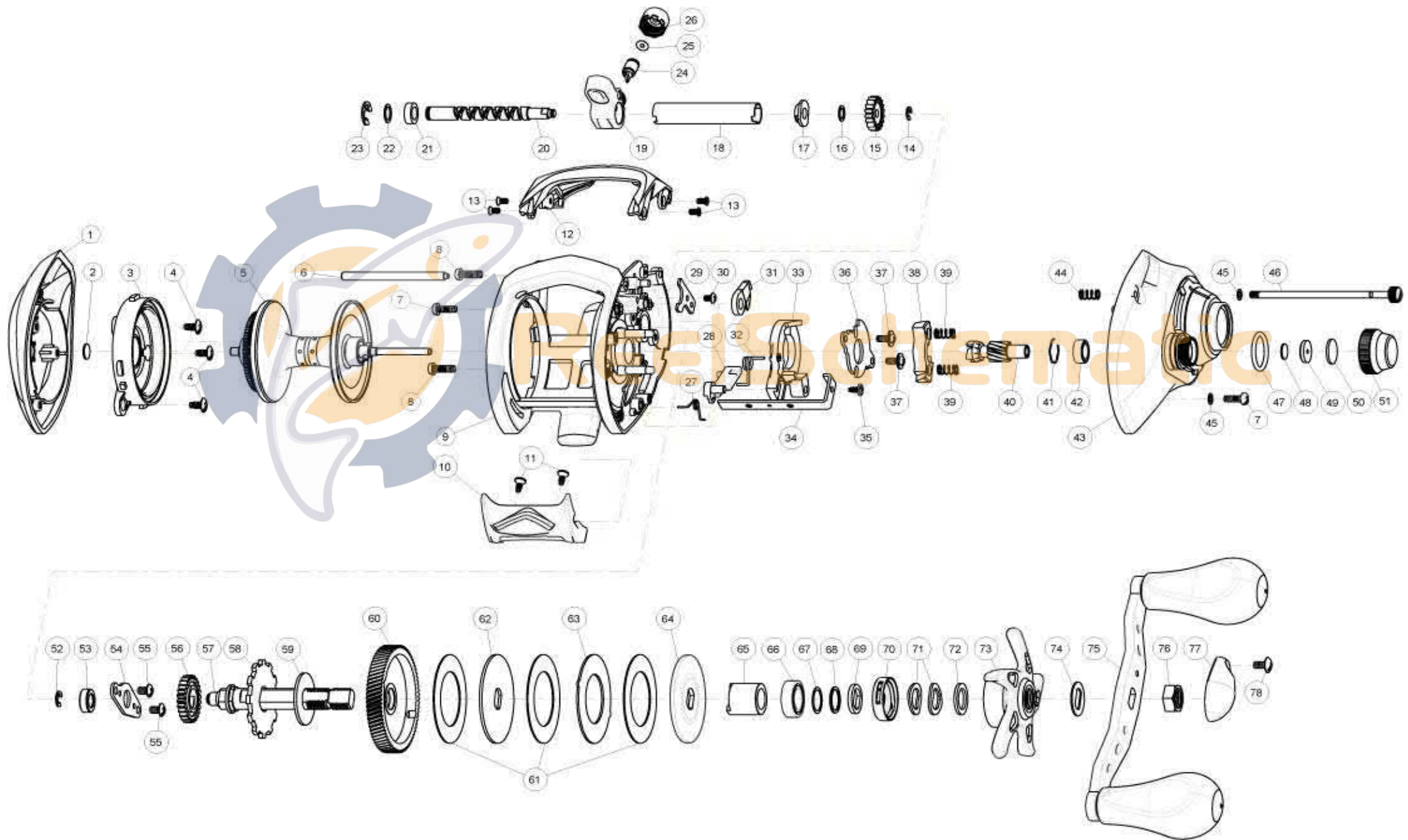


QUANTUM[®]

MO300SPT



QUANTUM[®]

MO300SPT

Quantum MO300SPT Baitcast Reel Part List

Key #	Description	Part No.	Qty.	Key #	Description	Part No.	Qty.
1	Palm Side Cover	JA023-02	1	40	Pinion Gear	KA011-01	1
2	Spool Tension Shim	QW032-04	1	41	Tension Knob Ball Bearing Retainer	PW080-01	1
3	Spool Cover Assembly	JA351-01	1	42	Tension Knob Ball Bearing	SW017-01	1
4	Spool Cover Screw	QW125-02	3	43	Gear Side Cover Assembly	JA324-04	1
5	Spool Assembly	JA321-02	1	44	Thumb Screw Spring	JA096-01	1
6	Stabilizer Bar	JA061-01	1	45	Thumb Screw Washer	LA032-01	2
7	Gear Side Cover Screw "A"	BV123-05	2	46	Thumb Screw	JA050-01	1
8	Gear Side Cover Screw "B"	KF123-03	2	47	Tension Knob O-Ring	RF101-01	1
9	Frame Assembly	JA301-02	1	48	Spool Tension Washer	QW032-04	1
10	Thumb Bar	JA009-02	1	49	Spool Tension Collar	QW081-01	1
11	Thumb Bar Screw	SB050-03	2	50	Spool Cushion Washer	QW082-01	1
12	Front Support	JA009-02	1	51	Spool Tension Knob	JA033-01	1
13	Front Support Screw	KW107-01	4	52	E-Clip	NX092-01	1
14	E-Clip	NX090-01	1	53	Crank Shaft Bushing (L)	ZW017-02	1
15	O/S Pinion Gear	JA085-01	1	54	Crank Shaft Retainer	JA002-01	1
16	Washer	PA035-01	1	55	Crank Shaft Retainer Screw	QW123-04	2
17	Worm Shaft Bushing - Gear Side	RA067-01	1	56	O/S Drive Gear	JA112-01	1
18	Worm Shaft Guide	JA016-01	1	57	Crank Shaft	JA008-01	1
19	Line Guide Carrier Assembly	JA347-02	1	58	Trip Ratchet	JA083-01	1
20	Worm Shaft	JA072-01	1	59	Ratchet Washer	KA111-01	1
21	Worm Shaft Bushing - Palm Side	JA017-01	1	60	Drive Gear	KA012-01	1
22	Washer	EB032-02	1	61	Drag Disc	JA059-01	3
23	E-Clip	BF092-01	1	62	Drag "D" Washer	KA045-01	1
24	Line Guide Pawl	KW006-01	1	63	Drag Key Washer	JA048-01	1
25	Line Guide Pawl Washer	BV035-03	1	64	Drag Washer	FB045-01	1
26	Line Guide Pawl Screw	KW007-01	1	65	One Way Clutch Sleeve	JA052-01	1
27	Kick Lever Spring	JA097-01	1	66	Crank Shaft Ball Bearing	TW058-03	1
28	Kick Lever	JA077-01	1	67	Crank Shaft Ball Bearing Washer	TW035-02	1
29	Worm Shaft Retaining Plate	JA030-01	1	68	Seal Rubber	JA155-01	1
30	Worm Shaft Retaining Plate Screw	JA107-01	1	69	Collar	JA081-01	1
31	Anti Reverse Pawl Assembly	JA363-01	1	70	Drag Click Spring Assembly	YX4114-01	1
32	Release Slider Spring	JA104-01	1	71	Spring "D" Washer	JX046-01	2
33	Release Slider	JA039-01	1	72	Star Drag Washer	JA032-01	1
34	Release Slider Link	JA036-01	1	73	Star Drag	EW055-01	1
35	Release Slider Link Screw	EB125-01	1	74	Handle Washer	JA054-01	1
36	Release Slider Plate	JA161-01	1	75	Handle Assembly	KA318-01	1
37	Release Slider Plate Screw	CX076-01	2	76	Handle Nut	QW003-01	1
38	Pinion Yoke	EB025-01	1	77	Handle Nut Retainer	KV034-01	1
39	Pinion Yoke Spring	KW040-01	2	78	Handle Nut Retainer Screw	QW123-03	1